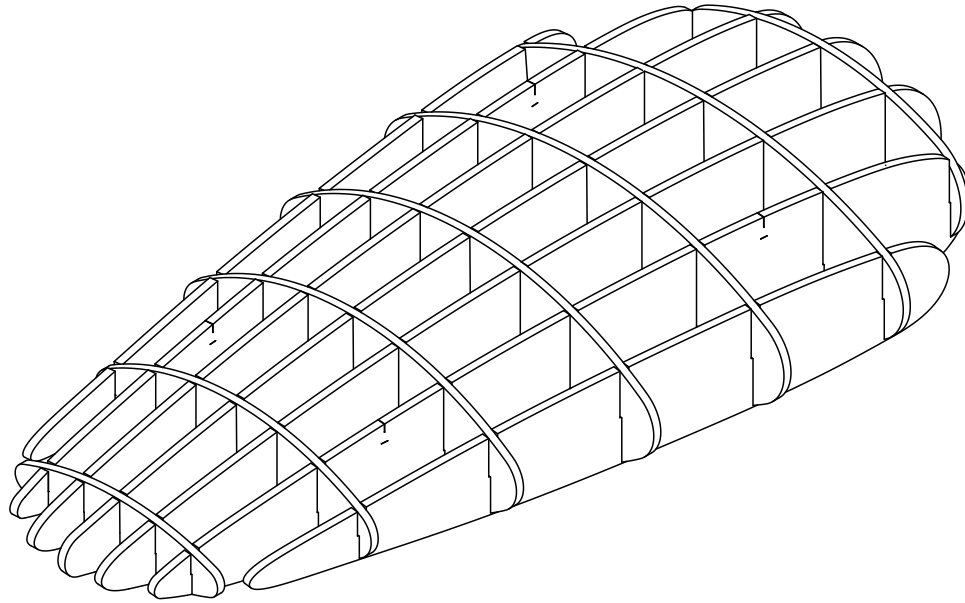
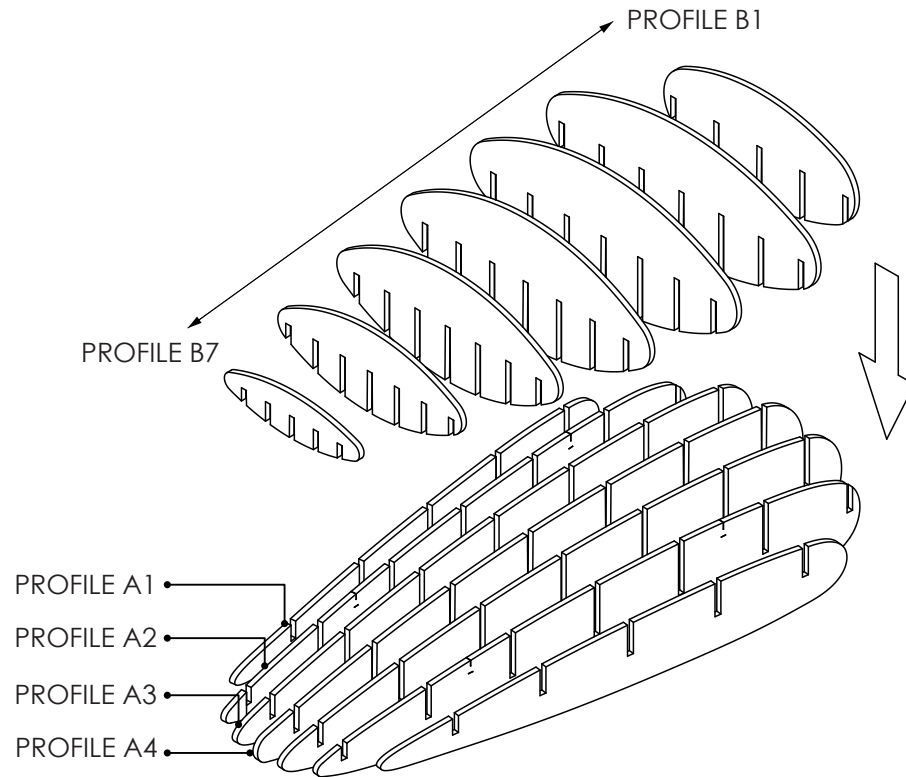


STRATUS CLOUD INSTALL GUIDE



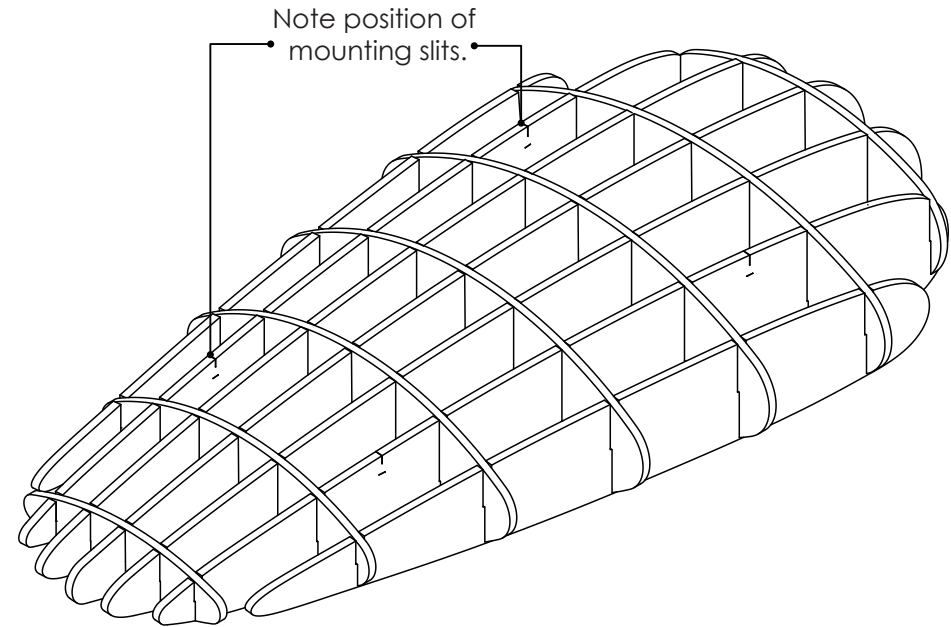
www.crownsurfacesolutions.com
e: info@crownsurfacesolutions.com
p: 416.245.2900

STRATUS CLOUD ASSEMBLY



1) Assemble cloud profiles via slots.
Note position of mounting slits.

STEP 1

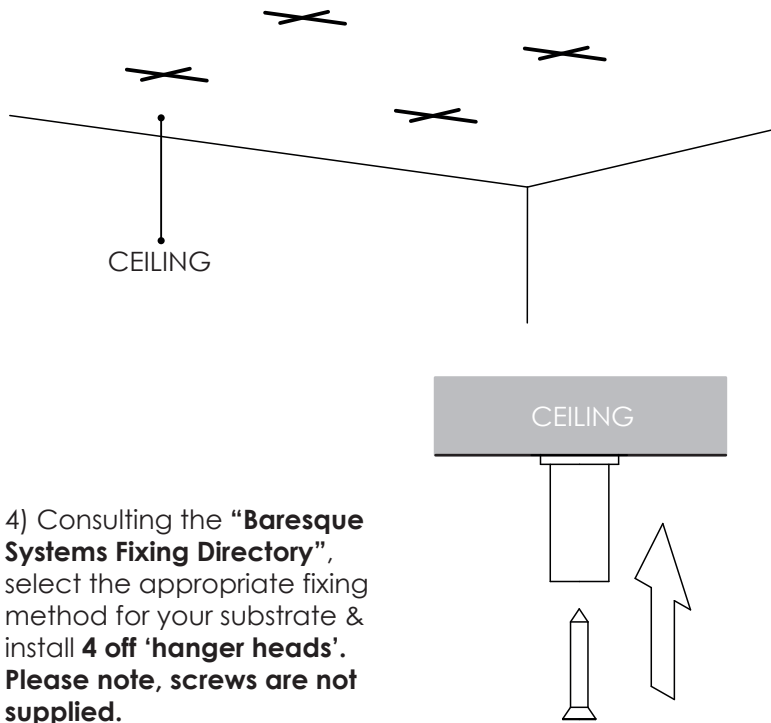


2) Assembled "Stratus Cloud".

STEP 2

STRATUS CLOUD SUSPENSION METHOD

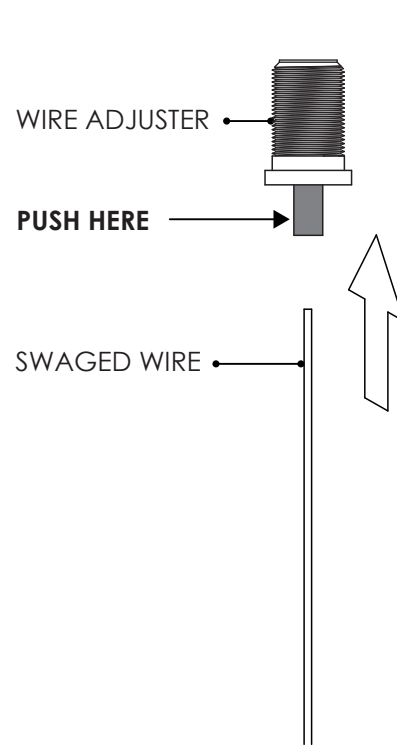
3) Place cloud assembly up to ceiling in desired location. Mark position of **4 off** through holes which correspond to the mounting slits.



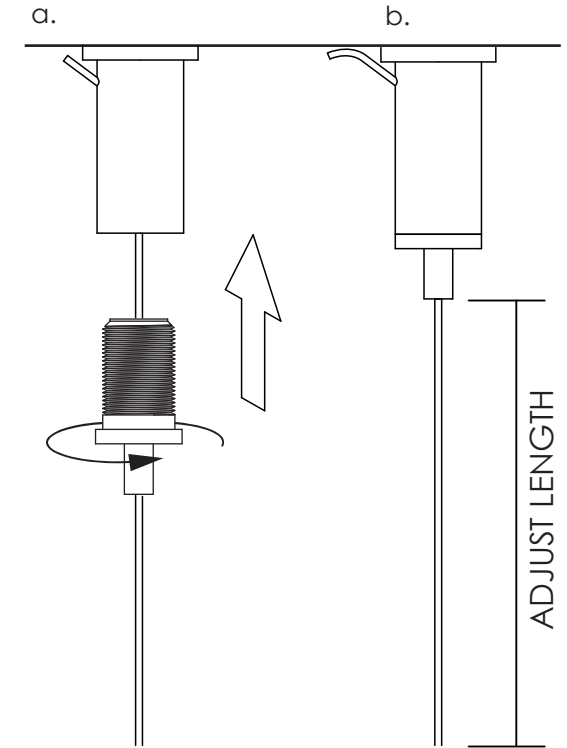
STEP 3 & 4

4) Consulting the “**Baresque Systems Fixing Directory**”, select the appropriate fixing method for your substrate & install **4 off** ‘hanger heads’. **Please note, screws are not supplied.**

5) Feed swaged wire through tip of ‘wire adjuster’ (as shown). Push button (shown in grey) to adjust wire length. Release the button to lock in place.



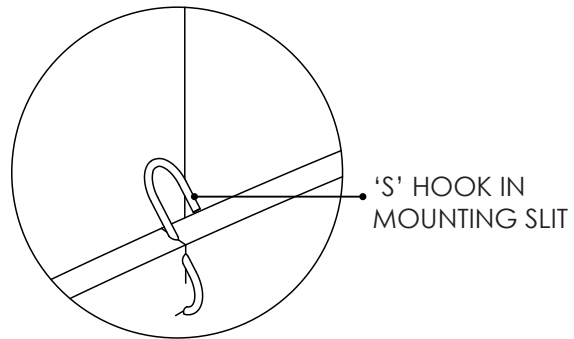
6) Feed swaged wire through hole in the side of ‘hanger head’. Screw ‘wire adjuster’ into ‘hanger head’, then adjust wires so they finish at approx. the same length.



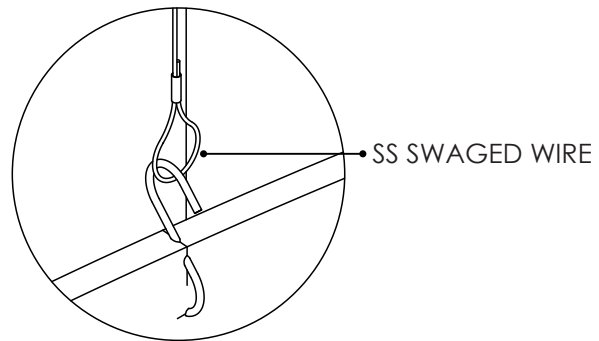
STEP 5 & 6

STRATUS CLOUD SUSPENSION METHOD

7) Insert 'S' hooks into mounting slits on cloud as shown.

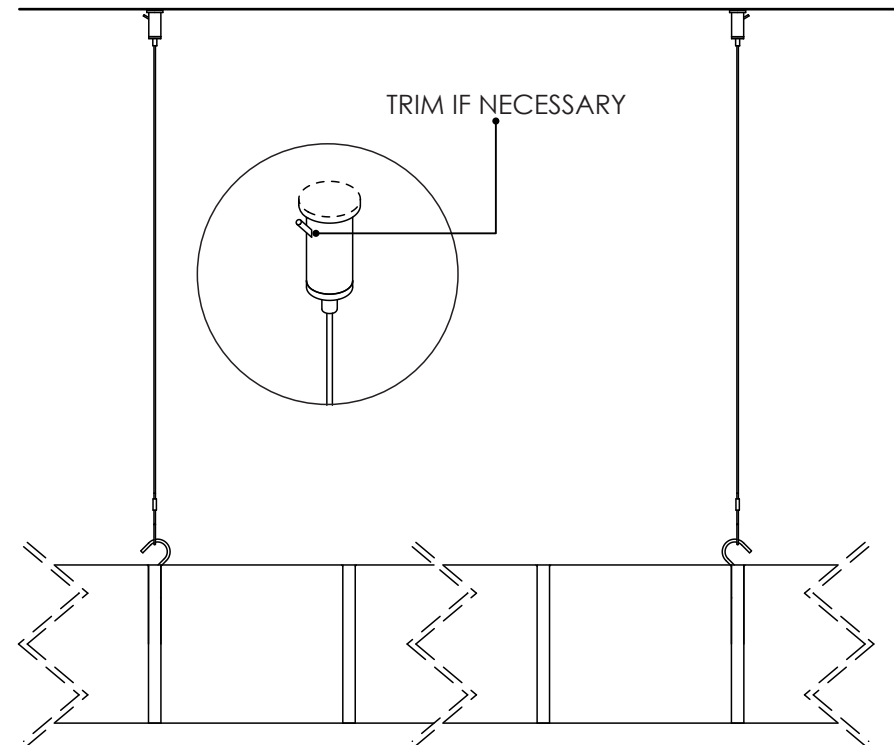


8) Suspend cloud by looping 'S' hooks through swaged wire.



STEP 7 & 8

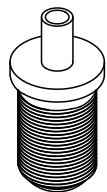
9) Re-adjust wire length as explained in STEP 5 until cloud hangs level. Trim excess wire for a neat finish.



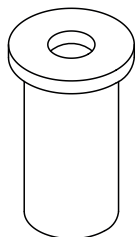
STEP 9

*Please note, above linework is representative only.
Your cloud may not be depicted.

STRATUS CLOUD PARTS



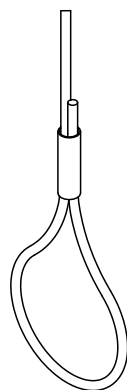
WIRE ADJUSTER
4 OFF



HANGER HEAD
4 OFF



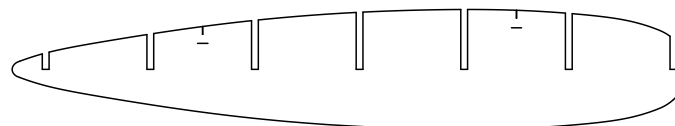
'S' HOOK
4 OFF



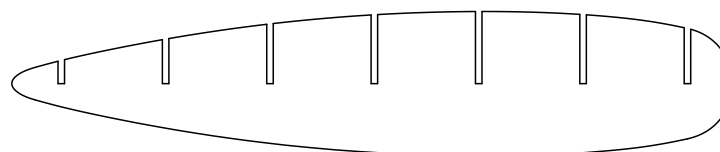
SWAGED WIRE
4 OFF



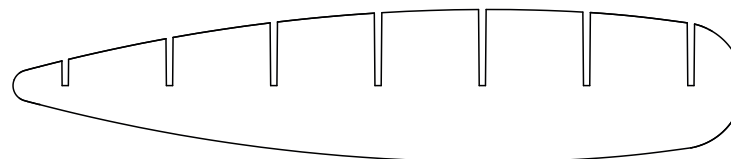
PROFILE A1: 2 OFF



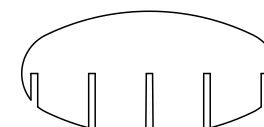
PROFILE A2: 2 OFF



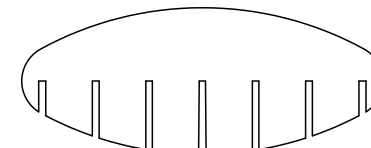
PROFILE A3: 2 OFF



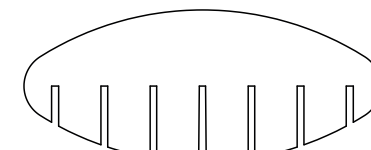
PROFILE A4



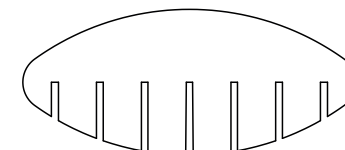
PROFILE B1



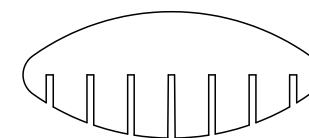
PROFILE B2



PROFILE B3



PROFILE B4



PROFILE B5



PROFILE B6



PROFILE B7